

AC Centrifugal Blower

CB-100836

**Continuos Rating, Aluminium Impeller.
Rotates in Counter Clock Wise Direction.
Sheet Metal Fabricated MS body.
With Die Cast Aluminium Body.**



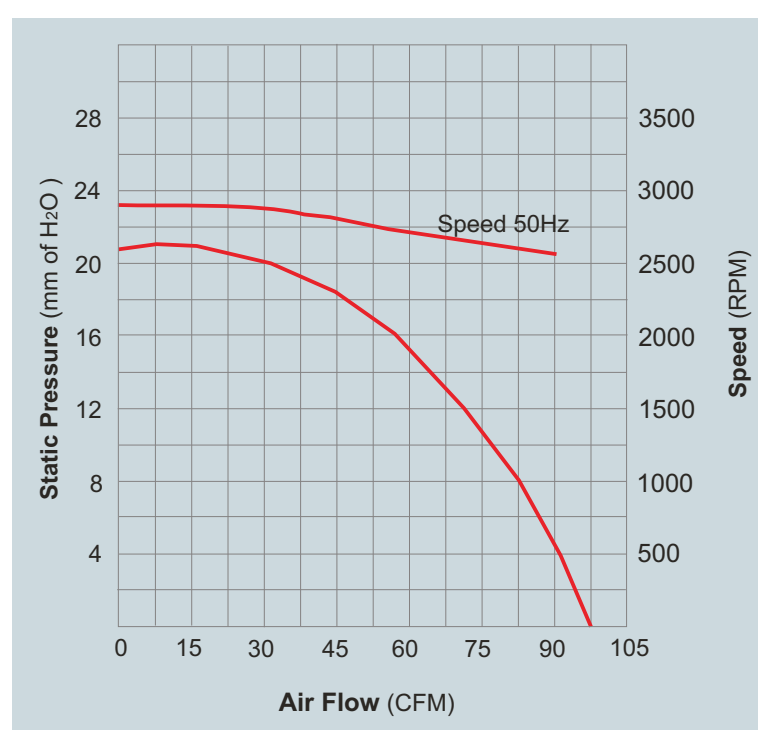
Specifications :

Output Power W	Model	Frequency Hz	Supply Voltage Volt	Current A	Max. Air Flow. CFM	Max. Static Pressure		Rated Speed RPM	Capacitor μ F
						Pa	mm of H ₂ O		
15	CB 100836 W	60	110 V Single Phase	0.40	100	240	24	2800	2.5
15	CB 100836 X	50	230 V Single Phase	0.20	100	200	20	2800	1.5
15	CB 100836 Y	60	230 V Three Phase	0.21	100	230	24	2800	-----
15	CB 100836 Z	50	230 V Three Phase	0.10	100	176	20	2800	-----

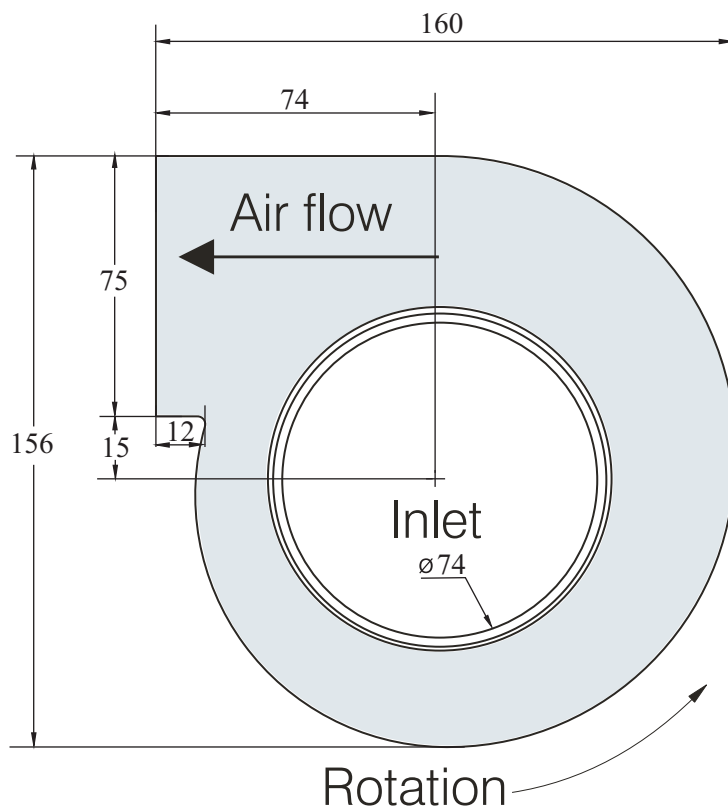
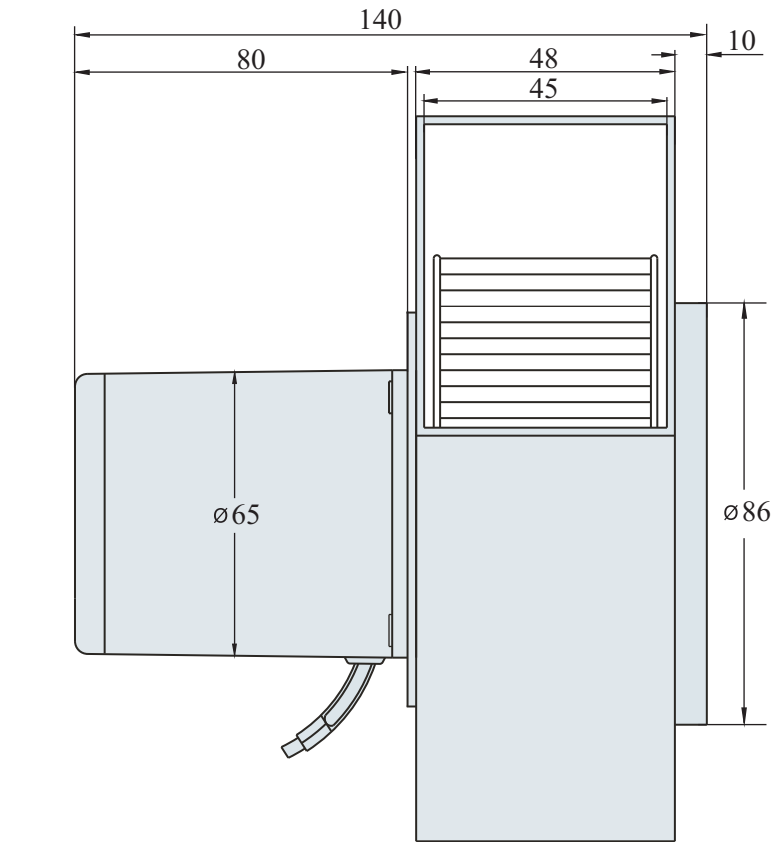
Centrifugal blowers move air by means of the centrifugal force generated by rotating a cylindrical impeller.

Used for applications where increased air pressure, increased static pressure, high airflow is required.

Centrifugal blowers have a small outlet, which concentrates air in a single direction, and are therefore suitable for local cooling.



Dimensions



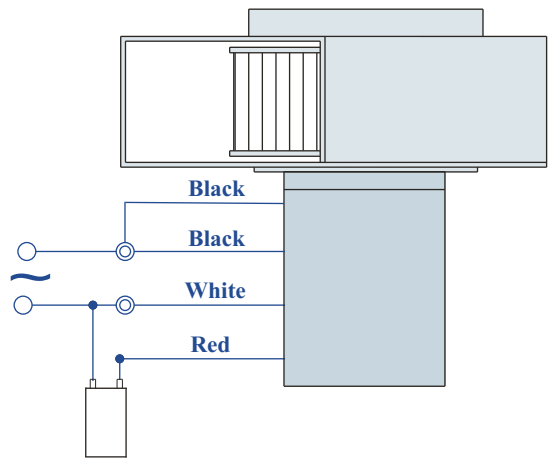
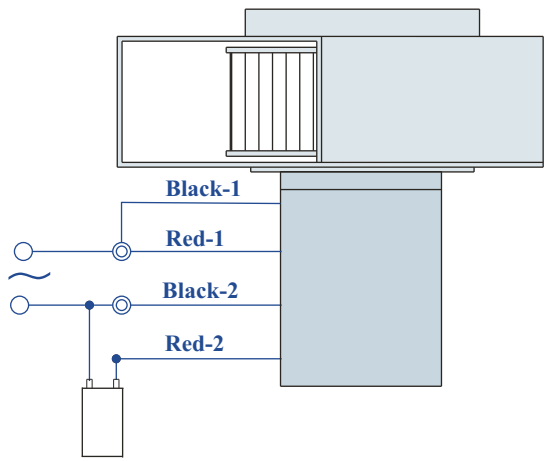
Weight
 CB-100836 1.2 Kg,

(Note- All Dimensions are in mm)

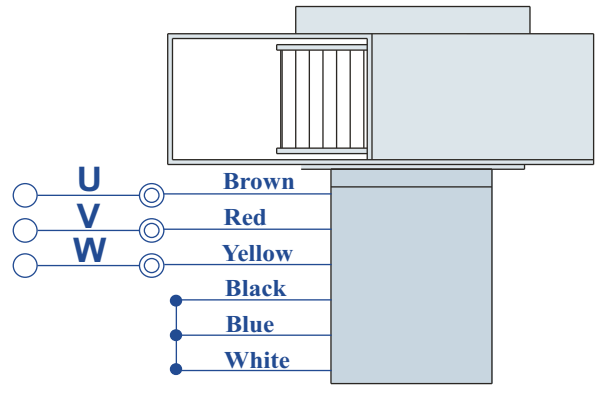
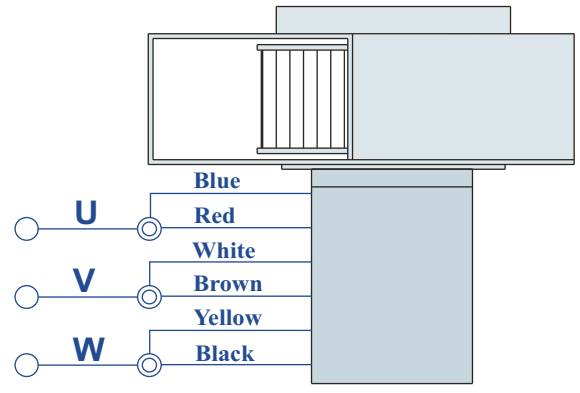
Wiring Diagram

Wiring diagram for Single Phase Blower

Ensure that the impeller is rotation in **anti clockwise direction**, air flow is maximum.

Standard Single Phase Blower	SR Type Single Phase Blower
	
<p>Short Black wires and connect the capacitor as shown. To change the direction, connect the supply wire from White to Red.</p>	<p>Red wires are for running winding and Black wires for Starting winding. To change the direction, interchange Black wires or Red wires.</p>

Wiring diagram for Three Phase Motors

Star Connection	Delta Connection
	
<p>For the Voltage 415 VAC, 3-Phase Supply, Wires are connected as shown in the fig. Short Blue, Black and White and then insulate it carefully.</p> <p>To change the direction, interchange any two wires between U, V & W.</p>	<p>For the Voltage 230 VAC, 3-Phase Supply, Wires are connected as shown in the fig. Short Blue & Red, Black & Yellow, and White & Red as per the fig. Shown.</p> <p>To change the direction, interchange any two wires between U, V & W.</p>