

# AC Centrifugal Blower

## CB-121255

**Continuos Rating, Aluminium Impeller.  
Rotates in Counter Clock Wise Direction.  
Sheet Metal Fabricated MS body.  
With Die Cast Aluminium Body.**



### Specifications :

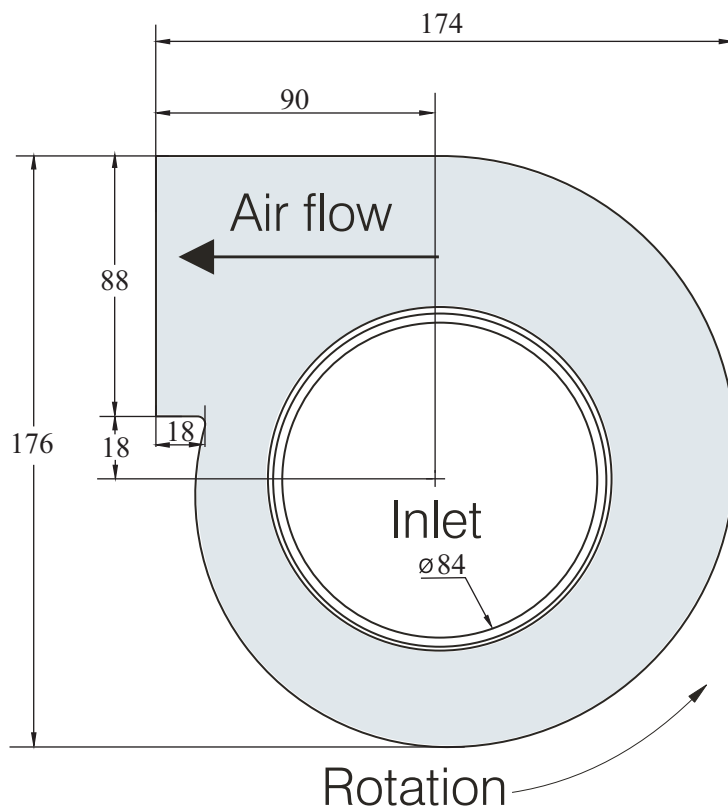
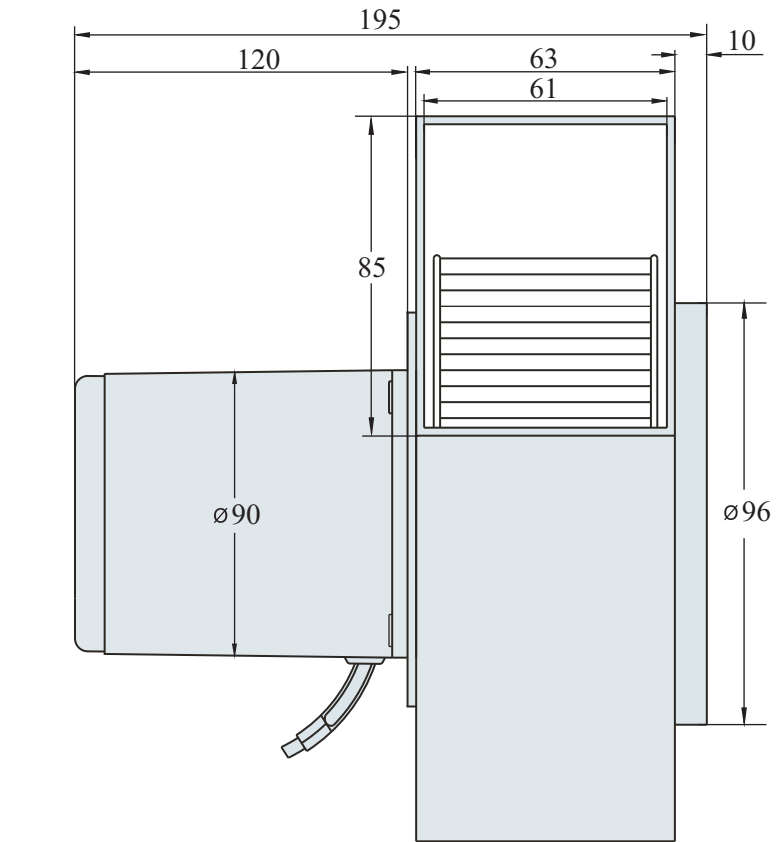
Output Power W	Model	Frequency Hz	Supply Voltage Volt	Current A	Max. Air Flow. CFM	Max. Static Pressure		Rated Speed RPM	Capacitor μF
						Pa	mm of H <sub>2</sub> O		
40	CB 121255 W	60	110 V Single Phase	0.90	250	300	30	2600	6.0
40	CB 121255 X	50	230 V Single Phase	0.40	250	285	29	2600	1.85
40	CB 121255 Y	60	230 V Three Phase	0.51	250	300	30	2600	-----
40	CB 121255 Z	50	230 V Three Phase	0.20	250	285	29	2600	-----

Centrifugal blowers move air by means of the centrifugal force generated by rotating a cylindrical impeller.

Used for applications where increased air pressure, increased static pressure, high airflow is required.

Centrifugal blowers have a small outlet, which concentrates air in a single direction, and are therefore suitable for local cooling.





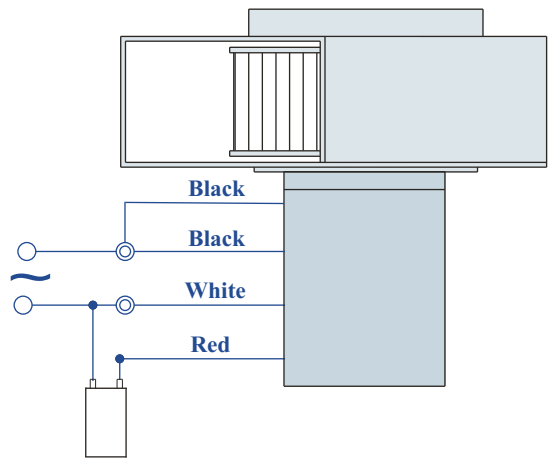
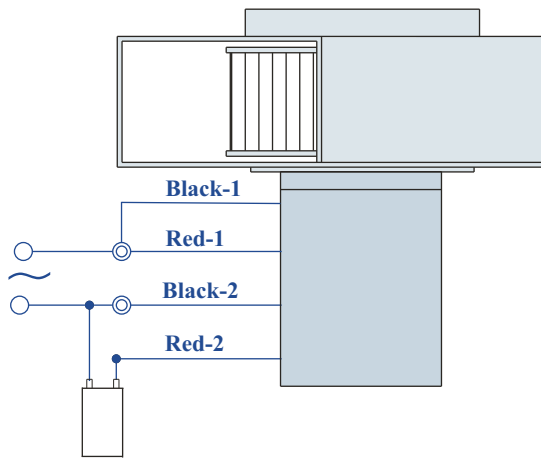
**Weight**  
 CB-100836 3.5 Kg,

(Note- All Dimensions are in mm)

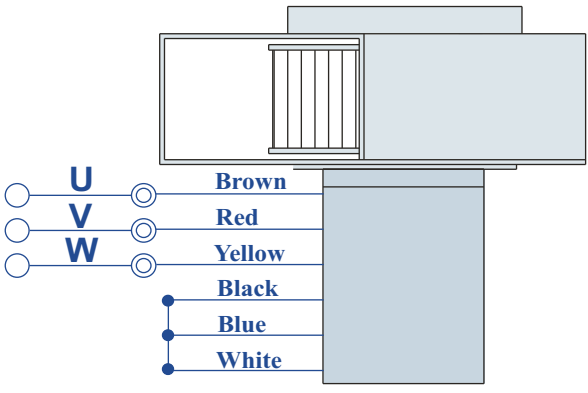
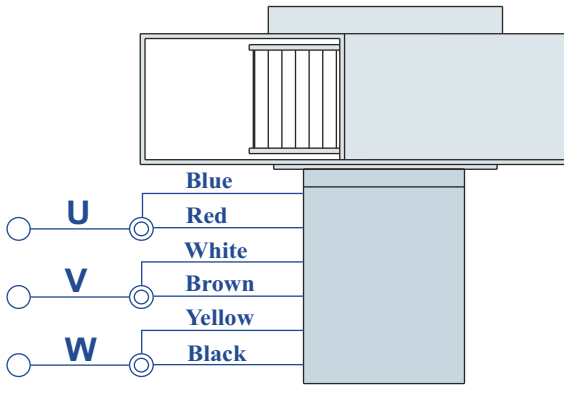
# Wiring Diagram

## Wiring diagram for Single Phase Blower

Ensure that the impeller is rotation in **anti clockwise direction**, air flow is maximum.

Standard Single Phase Blower	SR Type Single Phase Blower
	
<p>Short Black wires and connect the capacitor as shown. To change the direction, connect the supply wire from White to Red.</p>	<p>Red wires are for running winding and Black wires for Starting winding. To change the direction, interchange Black wires or Red wires.</p>

## Wiring diagram for Three Phase Motors

Star Connection	Delta Connection
	
<p>For the Voltage 415 VAC, 3-Phase Supply, Wires are connected as shown in the fig. Short Blue, Black and White and then insulate it carefully.</p> <p>To change the direction, interchange any two wires between U, V &amp; W.</p>	<p>For the Voltage 230 VAC, 3-Phase Supply, Wires are connected as shown in the fig. Short Blue &amp; Red, Black &amp; Yellow, and White &amp; Red as per the fig. Shown.</p> <p>To change the direction, interchange any two wires between U, V &amp; W.</p>