

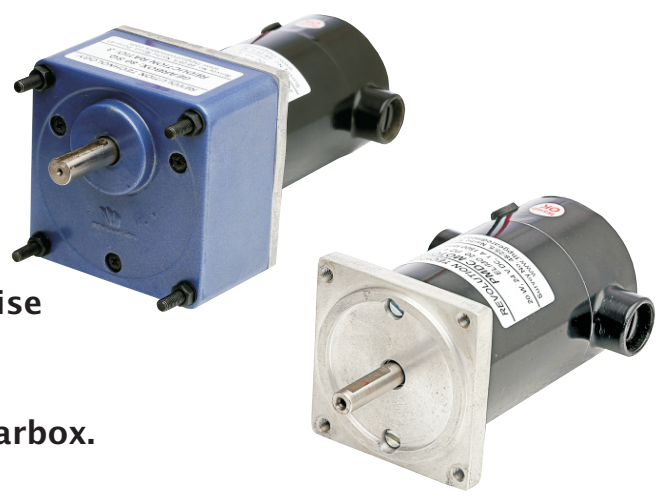


PMDC Motor

20 Watt

Continuos Rating, Carbon Brush Permanent Magnet Motor.
 Rotates in clock wise or counter clock wise direction by changing its Polarity.

Speeds are 3000 / 2000 / 1500 RPM and further low speeds with the gearbox.
 Flying lead Wires for connections.



Specifications :

Output Power W	Model	Supply Voltage Volt	Current A	Rated Torque Kg.cm	Rated Speed RPM
20	60 4G CA 20	12 V DC	1.66	1.2	1500
20	60 4G CA 20	24 V DC	0.82	1.2	1500
20	60 4G CA 20	90 V DC	0.22	1.2	1500
20	60 4G CA 20	180 V DC	0.11	1.2	1500

Gearmotor Torque Table:

The maximum permissible torque is 80 kg.cm

Unit: kg.cm

RPM	500	416	300	250	200	166	120	100	83	60	50	41	30	25	20	16	15	12.5	10	8.3
Gear Ratio	3	3.6	5	6	7.5	9	12.5	15	18	25	30	36	50	60	75	90	100	120	150	180
Output Torque	2.6	3.5	4.8	6	7.2	8.5	12	14.5	17	24	28	35	48	57	72	80	80	80	80	80

Gear Boxes are sold separately.

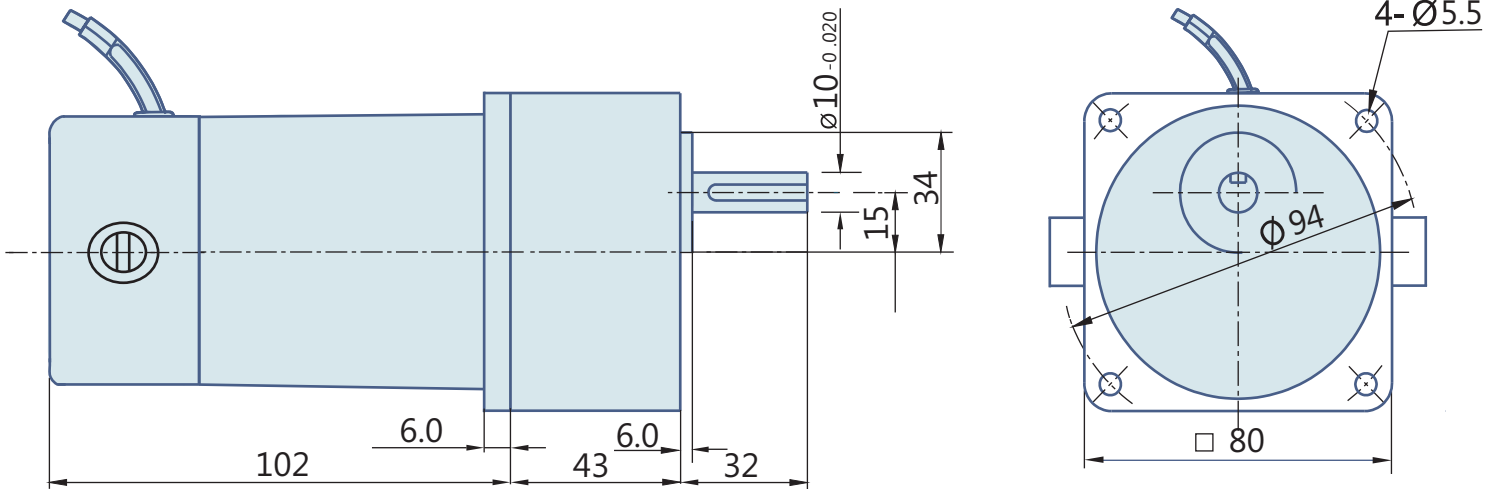
A Sky blue colored background indicates gear shaft rotation in the same direction; a Brown background indicates rotation in the opposite direction as the motor shaft.

The speed of the Gear Motor is calculated by dividing the motor's synchronous speed (50 Hz; 1500 RPM & 60 Hz; 1800 RPM) by the ratio.

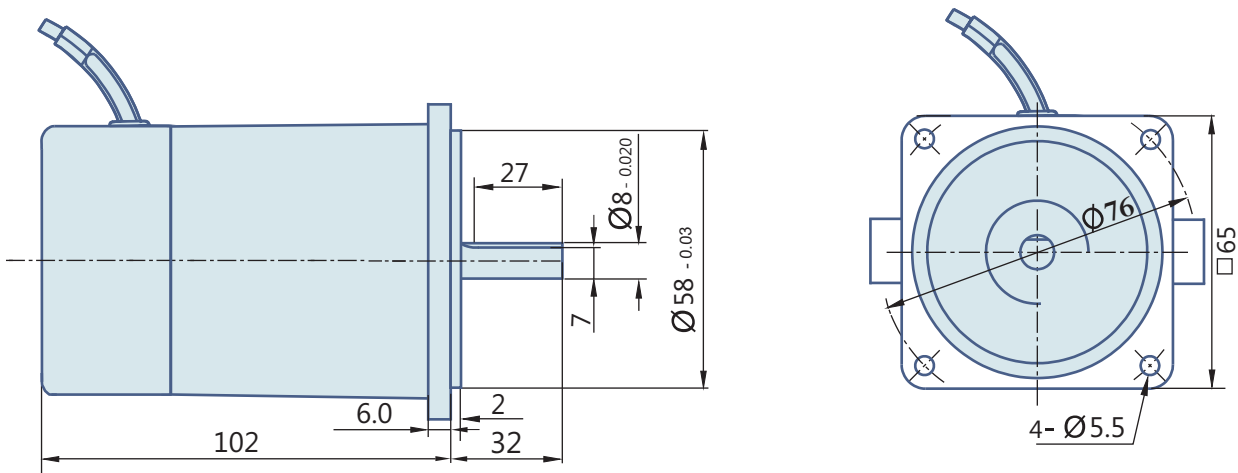
The actual speed is 2~20% less than the displayed value, depending upon the load size.

Characteristics, specifications and dimensions are subjected to change without prior notice.

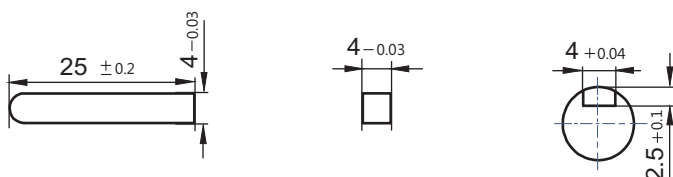
20 Watt : PMDC Geared Motor



20 Watt : PMDC Motor



Key and Keyway



Weight

Motor: 0.9 Kg, Gearbox: 0.8 Kg

(Note- All Dimensions are in mm)