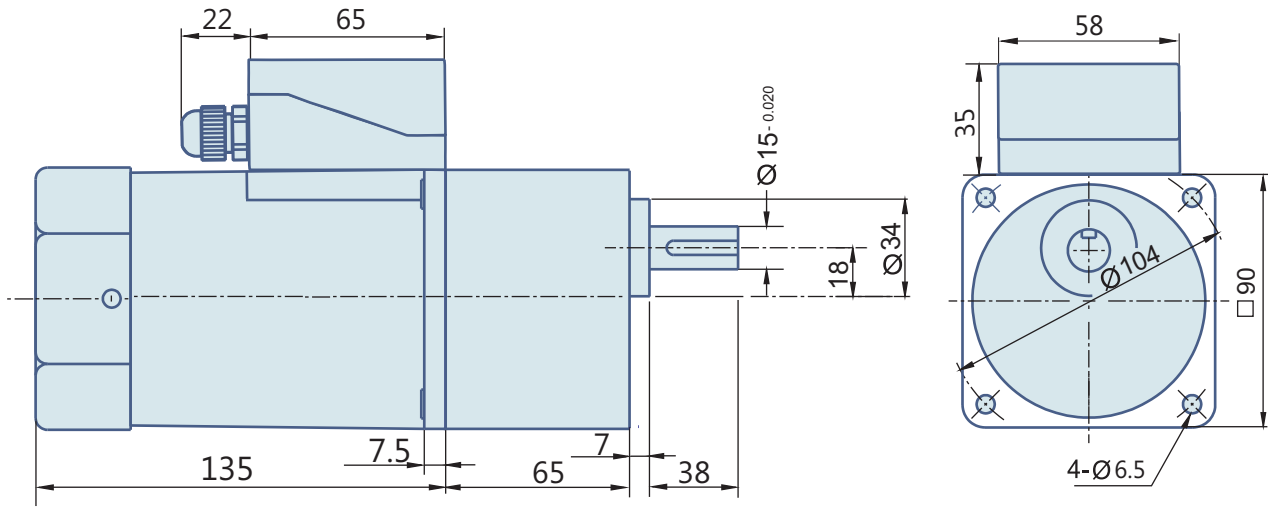
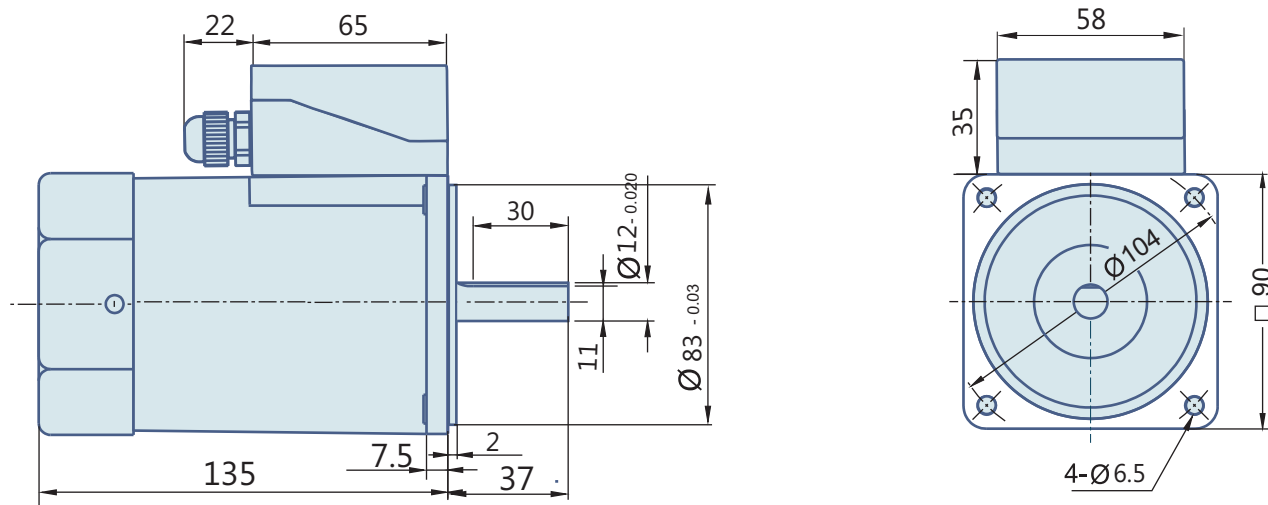


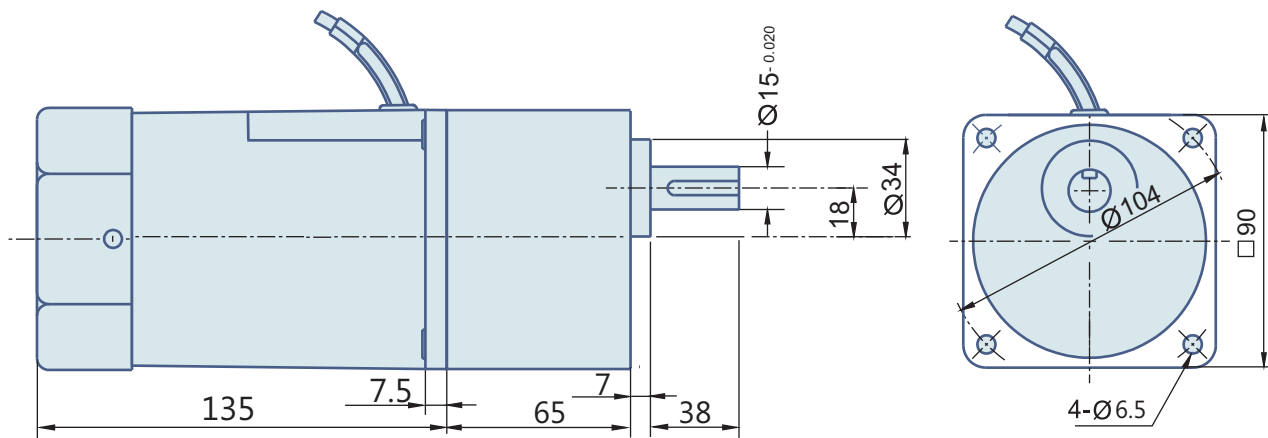
180 Watt : Reversible Geared Motor With Terminal Box



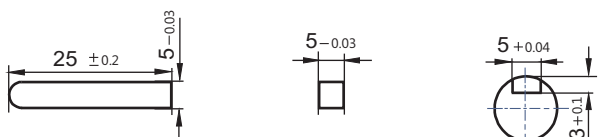
180 Watt : Round Reversible Motor With Terminal Box



180 Watt : Reversible Geared Motor With Lead wires



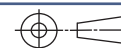
Key and Keyway



Date: 01/04/2012

All Dimensions are in MM
Drawing not to be scaled
If in doubts, Please ask.

Product: Reversible Motor 180 Watt / Three Phase



Weight
Motor: 3.1 Kg, Gearbox: 1.5 Kg